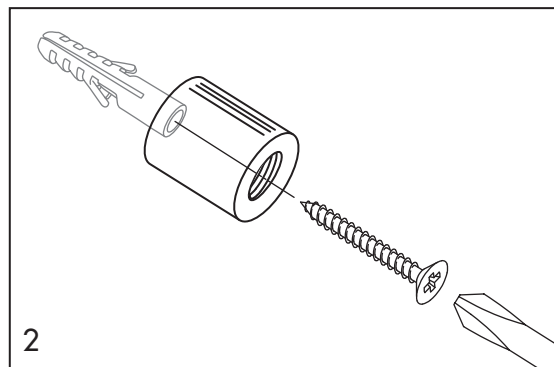
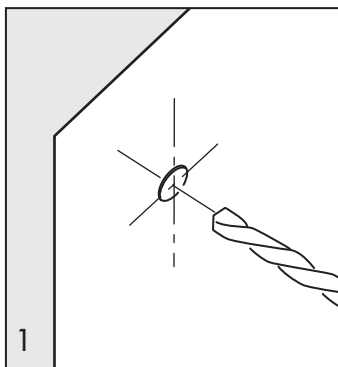
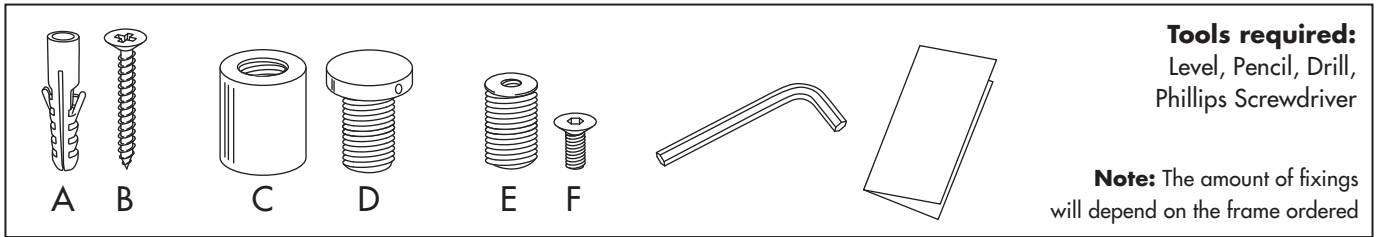
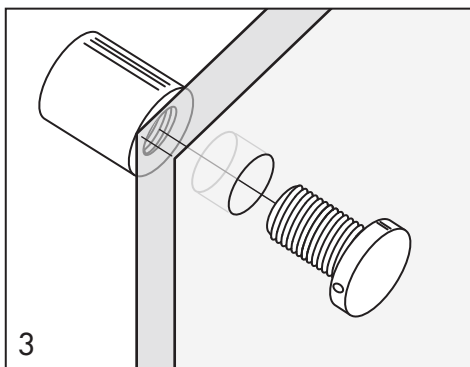


# Acrylic Frame Fixing Guide



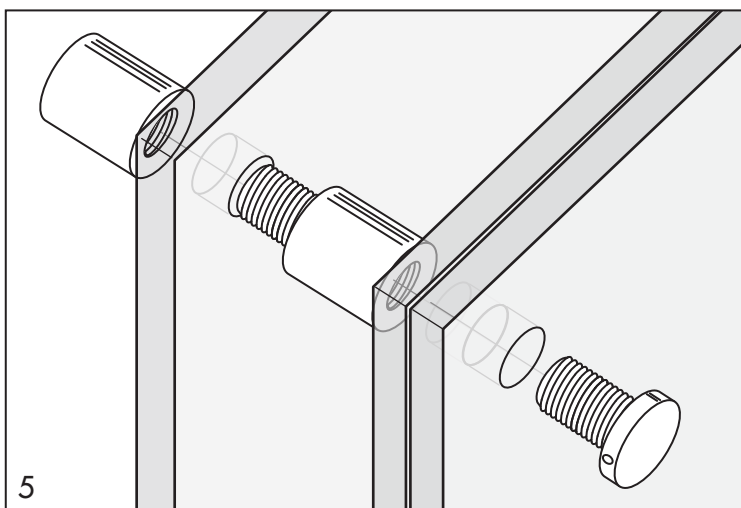
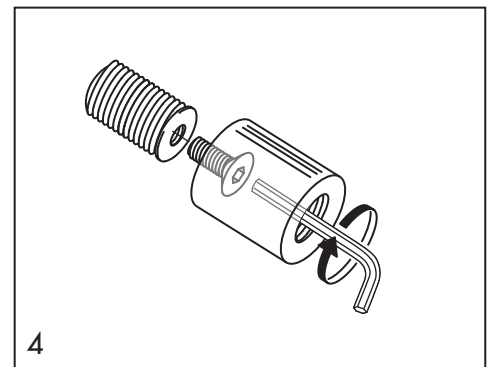
**1.** Using the template supplied, ensure a level position on the wall. With a pencil mark the position of the holes for each fixing. Drill the wall to the depth of the plug (A) and insert the plug.

**2.** With screw (B) secure one chrome barrel (C) for each fixing point.



**3.** Single panel fixing.  
If the the fixing is for the back panel only, position the panel over the holes and complete with fixing head (D)

If the fixing is to secure multiple panels, please refer to figure 4 to build the additional stack fixing using brass grub screw (E+F)



**5.** Multi panel fixings.  
With the additional items made in figure 4, multiple panels can be secured with one fixing combination.

Final adjustments can be made by loosening the heads (D) and repositioning the panels using a level, and then tightening the heads.

